

## capsule pressure gauges DS 4", 6" (100-150mm)



PED 2014/68/UE

Suitable for extremely low pressure and vacuum ranging between -600...0 and 0...600 mbar. They are generally used for gas measuring.

### 2.09.1 - Standard Model MN9 DS 4" (100mm)

**Design:** EN 837-3.

**Accuracy class:** 1.6 as per EN 837-3.

**Ambient temperature:** -13...+149 °F (-25...+65 °C).

**Process fluid temperature:** +149 °F (+65 °C).

**Working pressure:** max 75% of FSV.

**Over pressure limit:** 25% of FSV.

**Protection degree:** IP 55 as per EN 60529/IEC 529.

**Socket material:** stainless steel.

**Elastic element:** copper alloy capsule.

**Case:** stainless steel.

**Ring:** stainless steel, bayonet lock.

**Window:** tempered glass.

**Movement:** copper alloy.

**Dial:** aluminium, white with black markings.

**Pointer:** aluminium.

**Zero adjustment:** internal, on dial.

### 2.10.1 - "All stainless steel" Model MN9/18 DS 4", 6" (100-150mm) - (MGS18/9)

**Ambient temperature:**

-4...+149 °F (-20...+65 °C), IP55 housing (IEC 529);

-63...+149 °F (-53...+65 °C), vented IP65/67 housing (IEC 529).

**Process fluid temperature:** +212 °F (+100 °C).

**Socket material:** AISI 316L st.st.

**Elastic element:** AISI 316 Ti (1.4571) st.st. capsule.

**Other features:** as MN9 DS 4" (100mm).

### RANGES

0...2,5 mbar (1)
0...4 mbar (1)
0...6 mbar (1)
0...10 mbar (1)
0...16 mbar (1)
0...25 mbar
0...40 mbar
0...60 mbar
0...100 mbar
0...160 mbar
0...250 mbar
0...400 mbar
0...600 mbar

-2,5...0 mbar (1)
-4...0 mbar (1)
-6...0 mbar (1)
-10...0 mbar (1)
-16...0 mbar (1)
-25...0 mbar
-40...0 mbar
-60...0 mbar
-100...0 mbar
-160...0 mbar
-250...0 mbar
-400...0 mbar
-600...0 mbar

-1...1,5 mbar (1)
-1,5...1 mbar (1)
-1...3 mbar (1)
-2...2 mbar (1)
-3...1 mbar (1)
-2...4 mbar (1)
-4...2 mbar (1)
-3...3 mbar (1)
-4...6 mbar (1)
-6...4 mbar (1)
-5...5 mbar (1)
-6...10 mbar (1)
-10...6 mbar (1)
-10...15 mbar
-15...10 mbar
-15...25 mbar
-25...15 mbar
-20...40 mbar
-40...20 mbar
-40...60 mbar
-60...40 mbar
-60...100 mbar
-100...60 mbar
-100...150 mbar
-150...100 mbar
-150...250 mbar
-250...150 mbar
-200...400 mbar
-400...200 mbar

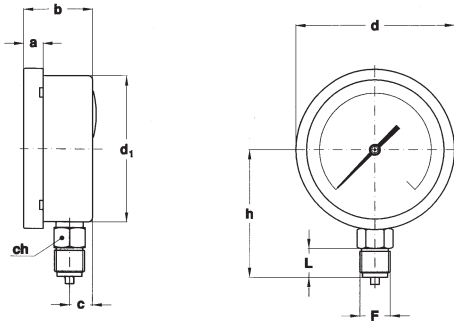
(1) for DS 6" (150mm)

# capsule pressure gauges

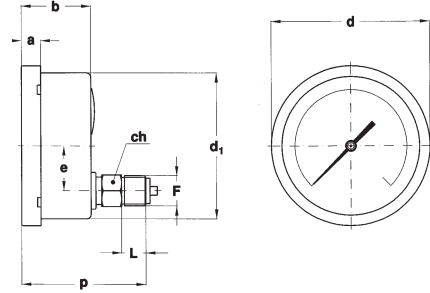
## DS 4", 6" (100-150mm)

# MN9

(MGS18/9)



**A - LOWER CONNECTION**



**D - BACK CONNECTION**

Mounting	DN	F	a	b	c	d	d <sub>1</sub>	e	h	p	L	ch	Weight : lbs (kg)	
Lower	<b>E</b> 4" (100mm)	<b>41M</b> G 1/2 A  <b>43M</b> 1/2-14 NPT	0.51 (13)	1.91 (48,6)	0.63 (16,1)	4.35 (110,6)	3.97 (101)		3.39 (86)		0.78 (20)	0.87 (22)	1.14 (0,52)	
Lower	<b>F*</b> 6" (150mm)		0.59 (15)	1.96 (50,5)	0.65 (16,5)	6.33 (161)	5.88 (149,6)		3.39 (86)		0.78 (20)	0.87 (22)	2.20 (1)	
Back	<b>G</b> 4" (100mm)													
Back	<b>E</b> 6" (150mm)		0.51 (13)	1.91 (48,6)		4.35 (110,6)	3.97 (101)	1.22 (31)		3.42 (86,8)		0.78 (20)	0.87 (22)	1.25 (0,57)
	<b>G</b>		0.59 (15)	1.96 (50,5)		6.33 (161)	5.88 (149,6)	1.22 (31)		3.42 (86,8)		0.78 (20)	0.87 (22)	1.98 (0,9)

dimensions : mm

## OPTIONS

MODEL	MN9	MN9/18
<b>C40</b> - AISI 316L st. st. case and ring		◆
<b>K10</b> - Accuracy class 1 (only for ≥ 25 mbar range)		◆
<b>MIX</b> -Stainless steel movement		◆
<b>B</b> - "U"-clamp, for back connection pressure gauges	◆	◆
<b>C</b> - Back flange, for lower connection pressure gauges	◆	◆
<b>E</b> - Front flange, for back connection pressure gauges	◆	◆
<b>T32</b> - Window glass	◆	◆
<b>2G2</b> - ATEX II 2G Ex h - A.t. -20...+60 °C (1)		◆
<b>2D5</b> - ATEX II 2GD Ex h - A.t. -53...+60 °C (1, 2, 3)		◆
<b>ECV</b> - Vented housing version - IP65/67 -A.t.-53...+65 °C (2)		◆
<b>E67</b> - Protection degree IP65/67 (3)		◆

(1) Please see catalogue sheet concerning the ATEX version

(2) To be ordered with E67 option

(3)To be ordered with ECV option

## "HOW TO ORDER" SEQUENCE

Section / Model / Case / Mounting / Diameter / Range / Process connection / Options

2    09    1    A    E                    41M    B...E  
       10        D    G                    43M    C40...E67

Copyright © Nuova Fima srl. All rights reserved. Any part of this publication should not be reproduced without a written Nuova Fima's srl approval

NUOVA FIMA USA Inc.  
 www.nuovafima.com - e-mail: infousa@nuovafima.com  
 4123 Hollister, Suite G - TX 77080 Houston  
 TEL. +1 713.690.9800 - FAX +1 713.690.9803

-2-

NUOVA FIMA srl  
 www.nuovafima.com - e-mail: info@nuovafima.com  
 P.O. BOX 58 - VIA C. BATTISTI 59 - 28045 INVORIO (NO) ITALY  
 TEL. +39 0322 253200 - FAX +39 0322 253232



IN ORDER TO IMPROVE THEIR PRODUCTION, MESSRS. NUOVA FIMA RESERVE THE RIGHT TO THEMSELVES TO MAKE ALL THE MODIFICATIONS THAT THEY DEEM INDISPENSABLE AT ANY TIME. UPDATED DATA SHEETS ARE AVAILABLE ON SITE: www.nuovafima.com